



# AB-700FC

SURFACE FINISHES AVAILABLE  
CHAIR BASES



POLISHED



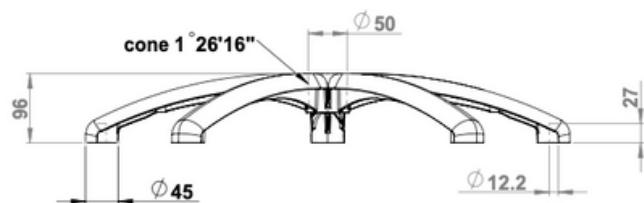
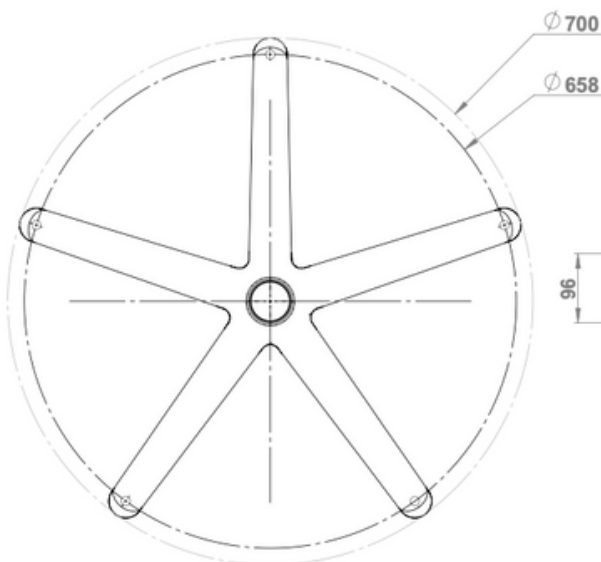
PAINTED  
BLACK



CUSTOM SURFACES  
ON REQUEST

## Product Data

Item no	AB-700FC
Type	Chair Base
Diameter(mm)	ø700
Diameter Cone	ø54
Material	Aluminium
Finish	Polished



ScanCastor

info@scancastor.dk