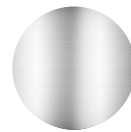




AH-668FC

SURFACE FINISHES AVAILABLE
CHAIR BASES



POLISHED



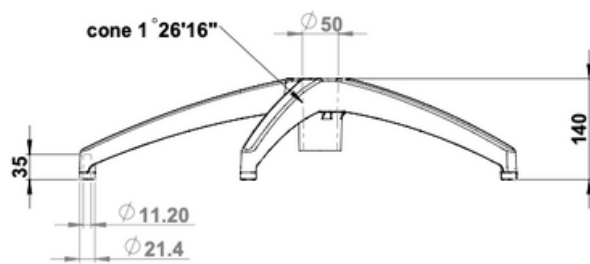
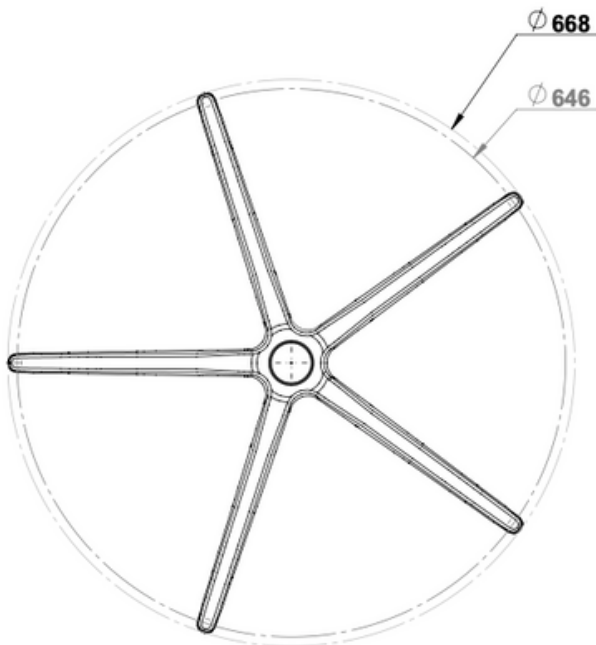
PAINTED
BLACK



CUSTOM SURFACES
ON REQUEST

Product Data

Item no	AH-668FC
Type	Chair Base
Diameter(mm)	ø668
Diameter Cone	ø50
Material	Aluminium
Finish	Polished



ScanCastor

info@scancastor.dk