



AS-500BK

SURFACE FINISHES AVAILABLE
CHAIR BASES



POLISHED



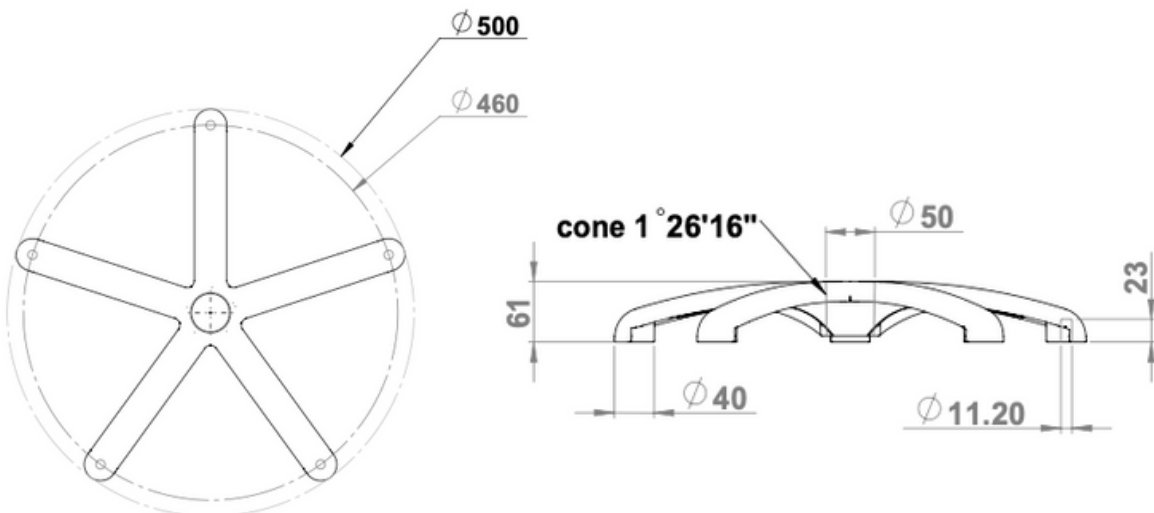
PAINTED
BLACK



CUSTOM SURFACES
ON REQUEST

Product Data

Item no	AS-500BK
Type	Chair Base
Diameter(mm)	ø500
Diameter Cone	ø50
Material	Aluminium
Finish	Painted, Black



ScanCastor

info@scancastor.dk