



# AS-500FC

SURFACE FINISHES AVAILABLE  
**CHAIR BASES**



POLISHED



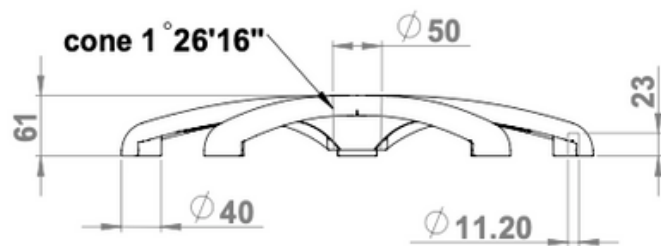
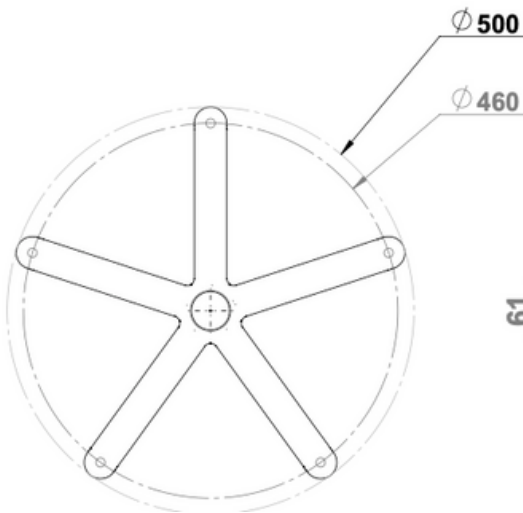
PAINTED  
BLACK



CUSTOM SURFACES  
ON REQUEST

## Product Data

Item no	AS-500FC
Type	Chair Base
Diameter(mm)	ø500
Diameter Cone	ø50
Material	Aluminium
Finish	Polished



**ScanCastor**

info@scancastor.dk