



AT-500BH/BK

SURFACE FINISHES AVAILABLE
CHAIR BASES



POLISHED



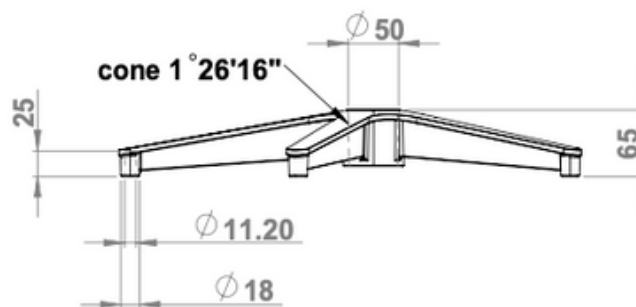
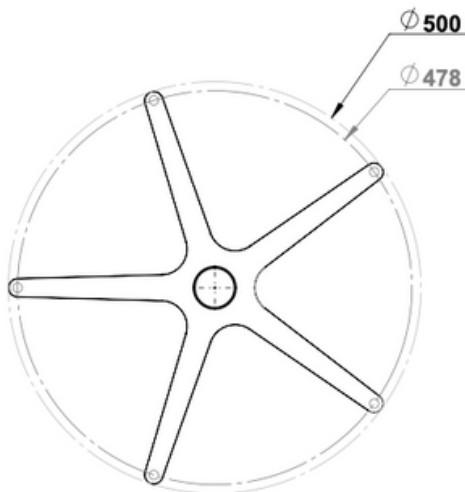
PAINTED
BLACK



CUSTOM SURFACES
ON REQUEST

Product Data

Item no	AT-500BH/BK
Type	Chair Base
Diameter(mm)	ø500
Diameter Cone	ø50
Material	Aluminium
Finish	Satin Polished/Black



ScanCastor

info@scancastor.dk