



KE-800BK

SURFACE FINISHES AVAILABLE
CHAIR BASES



POLISHED



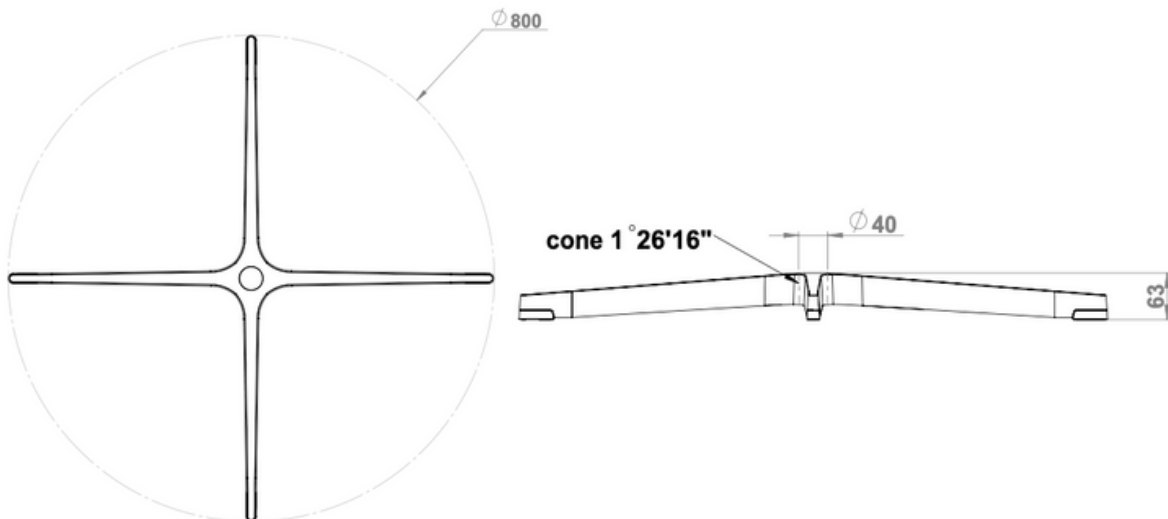
PAINTED
BLACK



CUSTOM SURFACES
ON REQUEST

Product Data

Item no	KE-800BK7
Type	Chair Base
Diameter(mm)	ø800
Diameter Cone	ø40
Material	Aluminium
Finish	Painted, black



ScanCastor

info@scancastor.dk